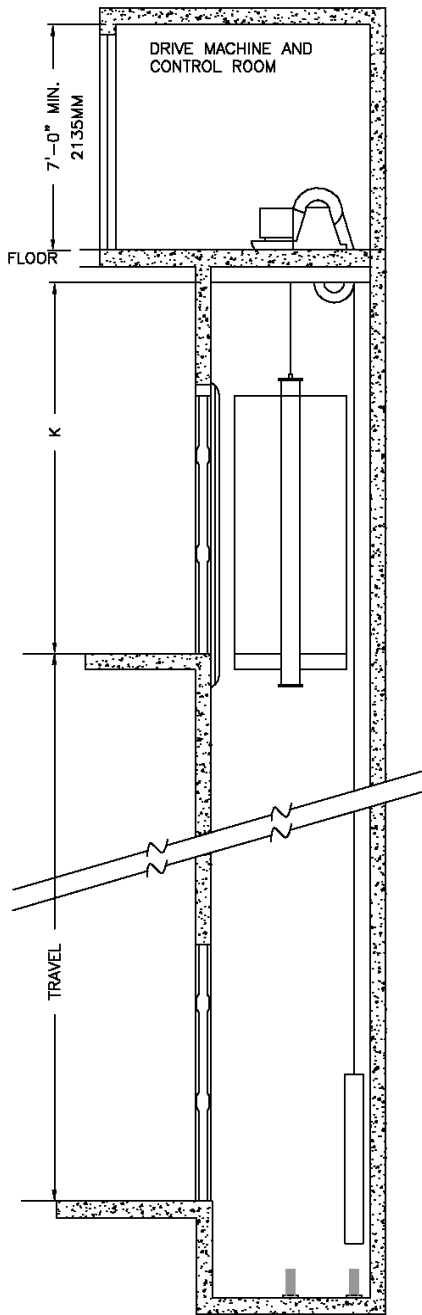
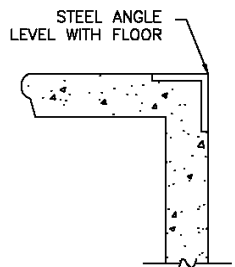


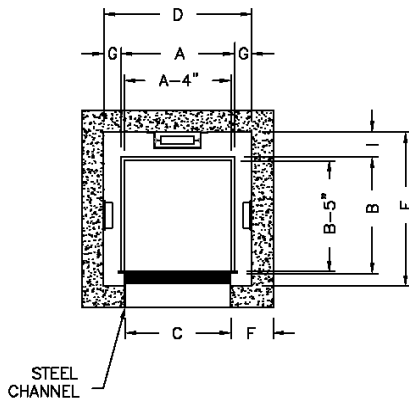
FREIGHT ELEVATORS – CABLE TYPE



ELEVATION VIEW

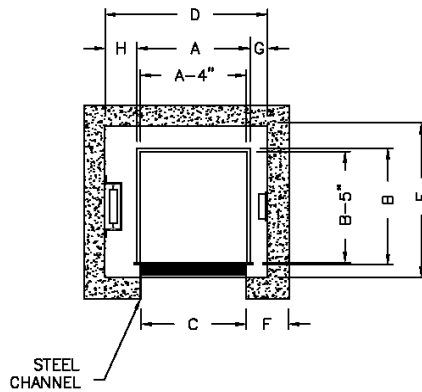


SECTION THRU SILL



PLAN A

COUNTERWEIGHT AT REAR



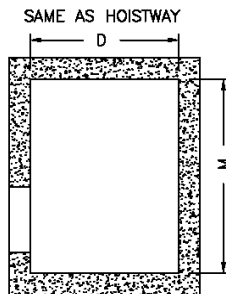
PLAN B

COUNTERWEIGHT AT SIDE
COUNTERWEIGHT CAN BE AT OTHER SIDE

CAR SIZE MAY BE VARIED FROM THOSE DIMENSIONS SHOWN. THE MAXIMUM CAPACITY IS LIMITED TO 49 LBS/SQ FT

WHEN BOTH FRONT AND REAR ENTRANCES ARE DESIRED, PLAN B MUST BE USED. THE SAME HOISTWAY SIZE IS STILL REQUIRED. THE REAR ENTRANCE WOULD BE DIRECTLY ACROSS FROM THE FRONT ENTRANCE.

CAPACITY		M	
LBS	KG	FT.-IN.	MM
1500	680	9'-0"	2740
2000	910	10'-0"	3050
2500	1140	10'-0"	3050
3000	1360	10'-0"	3050
4000	1820	10'-0"	3050
5000	2270	10'-0"	3050
6000	2720	12'-0"	3660
8000	3630	12'-0"	3660



MACHINE ROOM PLAN

US DIMENSIONS: FEET, INCHES AND POUNDS

Plan	Capacity Pounds	A	B	C	D	E	F	G	H	I	J		K	L
											7'-0" door	8'-0" door		
A	1,500	5'-4"	5'-5"	5'-0"	7'-0"	7'-2"	1'-0"	10"	--	1'-2"	4'-6"	4'-6"	*14'-0"	10"
B	1,500	5'-4"	5'-5"	5'-0"	7'-8"	6'-6"	1'-0"	10"	1'-6"	--	4'-6"	4'-6"	*14'-0"	10"
A	2,000	5'-4"	6'-5"	5'-0"	7'-0"	8'-2"	1'-0"	10"	--	1'-2"	4'-6"	4'-6"	*14'-0"	10"
B	2,000	5'-4"	6'-5"	5'-0"	7'-8"	7'-6"	1'-0"	10"	1'-6"	--	4'-6"	4'-6"	*14'-0"	10"
A	2,500	5'-4"	6'-5"	5'-0"	7'-0"	8'-2"	1'-0"	10"	--	1'-2"	5'-0"	5'-0"	*14'-0"	10"
B	2,500	5'-4"	6'-5"	5'-0"	7'-8"	7'-6"	1'-0"	10"	1'-6"	--	5'-0"	5'-0"	*14'-0"	10"
A	3,000	6'-4"	7'-5"	6'-0"	8'-0"	9'-2"	1'-0"	10"	--	1'-2"	5'-6"	5'-6"	*14'-0"	10"
B	3,000	6'-4"	7'-5"	6'-0"	8'-8"	8'-6"	1'-0"	10"	1'-6"	--	5'-6"	5'-6"	*14'-0"	10"
B	4,000	6'-4"	7'-5"	6'-0"	8'-8"	8'-6"	1'-0"	10"	1'-6"	--	5'-6"	5'-6"	**14'-6"	1'-0"
B	5,000	7'-4"	8'-5"	7'-0"	9'-8"	9'-6"	1'-0"	10"	1'-6"	--	5'-6"	5'-6"	**14'-6"	1'-0"
B	6,000	7'-4"	9'-5"	7'-0"	10'-0"	10'-6"	1'-0"	10"	1'-10"	--	5'-6"	5'-6"	**14'-6"	1'-0"
B	8,000	8'-4"	10'-5"	8'-0"	11'-0"	11'-6"	1'-0"	10"	1'-10"	--	5'-6"	5'-6"	15'-0"	1'-0"

**add 1'-0" for 8'-0" door **add 6" for 8'-0" door*

Capacities to 20,000 pounds available. Larger sizes are designed for each requirement.

METRIC DIMENSIONS: MILLIMETERS AND KILOGRAMS

Plan	Capacity Kilograms	A	B	C	D	E	F	G	H	I	J		K	L
											2135 door	2435 door		
A	680	1,625	1,650	1,525	2,135	2,184	305	255	--	360	1,220	1,370	*4270	255
B	680	1,625	1,650	1,525	2,340	1,980	305	255	460	--	1,220	1,370	*4270	255
A	910	1,625	1,960	1,525	2,135	2,489	305	255	--	360	1,370	1,370	*4270	255
B	910	1,625	1,960	1,525	2,340	2,290	305	255	460	--	1,370	1,370	*4270	255
A	1,140	1,625	1,960	1,525	2,135	2,489	305	255	--	360	1,530	1,530	*4270	255
B	1,140	1,625	1,960	1,525	2,340	2,290	305	255	460	--	1,530	1,530	*4270	255
A	1,360	1,930	2,260	1,830	2,440	2,794	305	255	--	360	1,680	1,680	*4270	305
B	1,360	1,930	2,260	1,830	2,645	2,590	305	255	460	--	1,680	1,680	*4270	305
B	1,820	1,930	2,260	1,830	2,645	2,590	305	255	460	--	1,680	1,680	**4420	305
B	2,270	2,235	2,565	2,135	2,950	2,900	305	255	460	--	1,680	1,680	**4420	305
B	2,720	2,235	2,870	2,135	3,050	3,200	305	255	560	--	1,680	1,680	**4420	305
B	3,630	2,540	3,175	2,435	3,355	3,505	305	255	560	--	1,680	1,680	4,570	305

**add 300 mm for 2,435 mm door **add 150 mm for 2,435 mm door*

Capacities to 9,000 kg available. Larger sizes are designed for each requirement.

ALSO AVAILABLE: SPECIAL SIZES AND SPECIAL DESIGNS FOR SPECIAL REQUIREMENTS.